

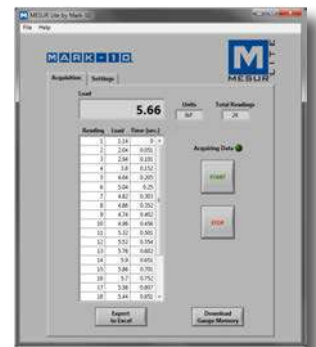


Series TT01 Cap Torque Testers are designed to measure application and removal torque of bottle caps up to 100 lbFin [11.5 Nm]. Adjustable posts effectively grip a broad range of container shapes and sizes, while optional flat and adjustable jaws are available for unique profiles. A rugged aluminum design, and simple, intuitive operation allow for use in laboratory and production environments.

Class-leading accuracy of  $\pm 0.3\%$  and blazingly fast sampling rate of 7,000 Hz ensure reliable and consistent test results, even in quick-action applications.

The TT01 includes a range of sophisticated productivity-enhancing features, including USB, RS-232, Mitutoyo, and analog outputs, automatic data output and zeroing upon cap removal, memory storage for 1,000 readings, pass/fail indicators and outputs, and more. Password protection is provided to prevent unauthorized changes to settings and calibration.

Series TT01 testers include MESUR™ Lite data acquisition software. MESUR™ Lite tabulates continuous or single point data. Data stored in the TT01's memory can also be downloaded in bulk. One-click export to Excel allows for further data manipulation.



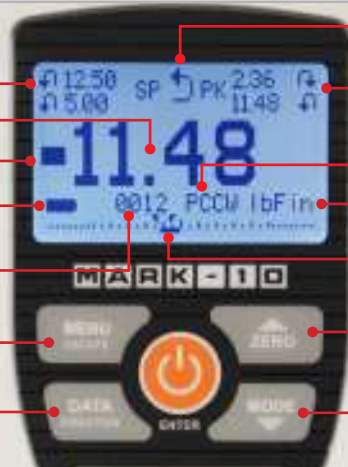
MESUR Lite data acquisition software is included with Series TT01 testers

## Features

- High-speed 7,000 Hz sampling rate accurately captures peak torque values
- First / second peak detection for slip and breakaway torques in tamper evident closures
- Moveable posts and other available gripping options accommodate a wide range of sample shapes and sizes
- USB, RS-232, Mitutoyo, and analog outputs
- Automatic output, data storage, and zeroing upon bottle cap removal helps automate testing processes
- 1,000-point data memory with statistics and outputs
- Programmable set point indicators and outputs for pass/fail determination
- Password protection prevents unauthorized changes
- MESUR™ Lite data collection software included

## Controls & Indicators

- Set points
- Current or peak reading
- Set point (pass/fail) indicators
- Battery indicator
- Memory storage for 1000 readings (auto-save also possible)
- Access the tester's settings menu via an easy-to-use interface
- One-push data output to a PC, printer, or other device (auto-output also possible)



- Clockwise/counter-clockwise indicator
- Peak readings (CW/CCW or 1st/2nd peaks)
- Measurement mode
- Unit of measurement
- Analog load bar w/set point markers
- Zero the reading to begin a new test (auto-zero also possible)
- Toggle between real time, peak, and 1st peak/2nd peak display modes



**Mark-10 Corporation** ■ [www.mark-10.com](http://www.mark-10.com) ■ [info@mark-10.com](mailto:info@mark-10.com)  
 Toll-free: 888-MARK-TEN ■ Tel: 631-842-9200 ■ Fax: 631-842-9201



## Optional Items



**CT001**  
**Flat jaws**

Set of rubber jaws for gripping square or odd shaped containers.



**CT002**  
**Carrying case**

Provides storage space for the TT01 tester, gripping jaws, AC adapter, and accessories.



**CT003**  
**Adjustable jaws**

Rubber-edged arms may be independently repositioned to accommodate unique samples.



**AC1036**  
**Calibration kit**

Complete set of brackets, cable, and hardware for calibration of any Series TT01 torque tester. Weights not available from Mark-10.



**CT005 / CT006 / CT007**  
**Extended length post sets**

CT005: Four 2.5" (63 mm) posts  
CT006: Four 4" (101 mm) posts  
CT007: Kit of four of each length: 1.25" (31 mm), 2.5" (63 mm), and 4" (101 mm)



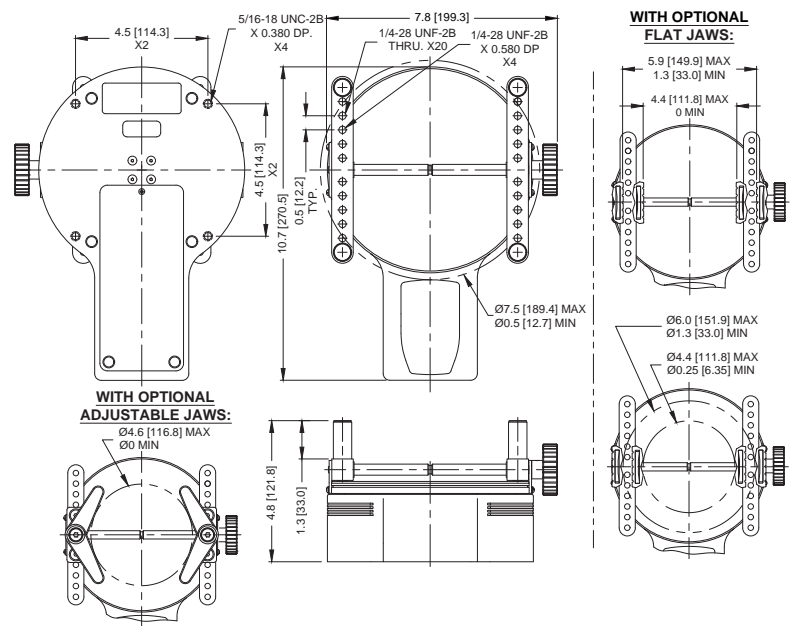
**AC1077**  
**Connector cover kit**

Helps protect the rear connectors against liquid entry.

## Specifications

<b>Accuracy:</b>	±0.3% of full scale
<b>Sampling Rate:</b>	7,000 Hz
<b>Power:</b>	AC or rechargeable battery. Multi-step low battery indicator is displayed, tester shuts off automatically when power is too low.
<b>Battery life:</b>	<b>Backlight on:</b> up to 7 hours of continuous use <b>Backlight off:</b> up to 24 hours of continuous use
<b>Units:</b>	ozFin, lbFin, kgFcm, Nm, Ncm
<b>Outputs:</b>	<b>USB / RS-232:</b> Configurable up to 115,200 baud. <b>Mitutoyo:</b> Serial BCD suitable for all Mitutoyo SPC-compatible devices. <b>Analog:</b> ±1 VDC, ±0.25% of full scale at capacity. <b>General purpose:</b> Three open drain outputs, one input. <b>Set points:</b> Three open drain lines.
<b>Safe overload:</b>	150% of full scale (display shows "OVER" at 110% and above)
<b>Weight:</b>	8.4 lb [3.8 kg]
<b>Included items:</b>	Set of four 1.25" length posts, universal voltage AC adapter, battery, quick-start guide, USB cable, resource CD (USB driver, MESUR™ Lite software, MESUR™ gauge DEMO software, and user's guide), and NIST-traceable certificate of calibration (certificate with data available for an additional charge).
<b>Environmental requirements:</b>	40 - 100°F, max. 96% humidity, non-condensating
<b>Warranty:</b>	3 years (see individual statement for further details)

## Dimensions in [mm]



## Capacity x Resolution

Model No.	lbFin	ozFin	kgFcm	Ncm	Nm
MTT01-12	12 x 0.005	192 x 0.1	14 x 0.01	135 x 0.1	1.35 x 0.001
MTT01-25	25 x 0.01	400 x 0.2	28 x 0.02	290 x 0.2	2.9 x 0.002
MTT01-50	50 x 0.02	800 x 0.5	58 x 0.05	570 x 0.5	5.7 x 0.005
MTT01-100	100 x 0.05	1600 x 1	116 x 0.1	1150 x 0.5	11.5 x 0.005

All models include 110V AC adapters. Add suffix 'E' for euro plug (220V), 'U' for UK plug (220V), or 'A' for Australian plug (220V). Ex: MTT01-12E, MTT01-25U, MTT01-50A