

For soft and hard wheat test milling



Representative milling

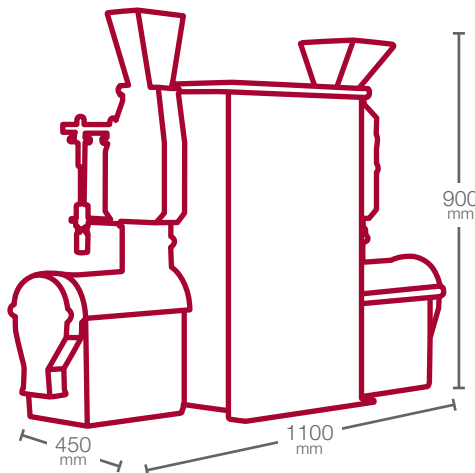
- Includes a breaking part and a reduction part

Reliable

- Repeatable, reproducible and standardized method

Cost effective

- Low maintenance thanks to robust cylinders



110 Kg

220/380V - 50/60Hz
995W



Test time : **25 minutes**
Operator time : **17 minutes**

Compliant with
NF EN ISO 27971 ; AACC 26-70.01

Operating principle

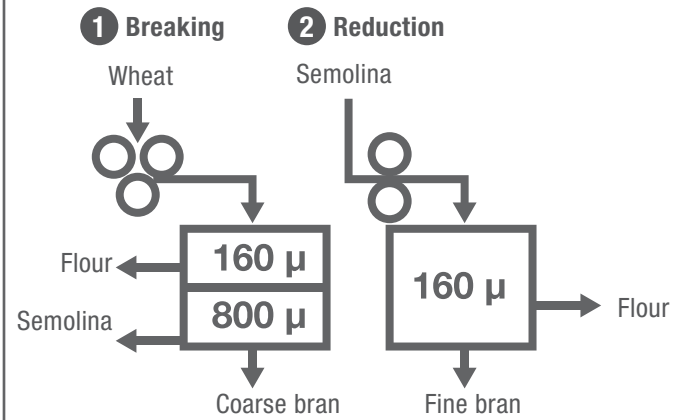
The CD1 Mill simulates the main steps in an industrial mill :

- 1/Breaking with two streams between three fixed grooved cylinders
- 2/Centrifugal screening
- 3/Reduction by one or two streams between two smooth cylinders
- 4/Centrifugal screening

The main applications

- Selecting wheat
- Evaluating wheat mixes
- Obtaining a representative flour for all your rheological analyses

CD1 operating diagram



Benefits

Representative

The biochemical composition of the flours processed out of the CD1 is very close to that of industrial flours (purity, granulometry, histological composition, starch damage, quality and quantity of protein).

Reliable

Highly robust cylinders, pre-adjusted fixed graps. Metallic particles are eliminated by magnetic contact before milling.

Simple

Does not require specialized personnel.





CD2 Mill

- Produce durum semolinas representative of an industrial mill
- Select durum wheats, evaluate blends, estimate semolina yield and characterize semolina obtained
- Simulate the main stages of an industrial mill: breaking, sifting and reduction

Principle

The CD2 test mill produces representative grist by simulating the stages of an industrial mill:

1. Two-step **breaking** between 3 fixed grooved rollers
2. **Sifting** via centrifugal sifter
3. **Reduction** via two steps through 3 fixed smooth rollers
4. **Sifting** via centrifugal sifter

Benefits

- The machine's **high endurance** allows up to 30 milling tests per day without overheating
- **Fixed setup** resulting in products of consistent quality, identical across all CD2 mills.
- **Sturdy build** with rollers that are virtually non-wearing during normal use, resulting in minimal maintenance.

- Options :
- Crushing sieve
 - Conversion sieve
 - Crushing beater
 - Conversion beater
 - 4kg milling kit